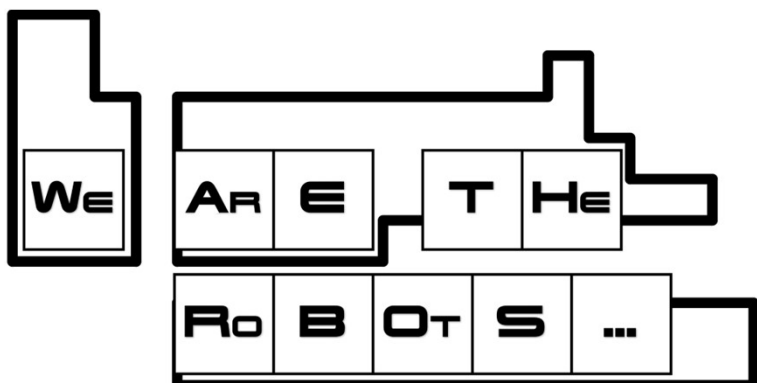
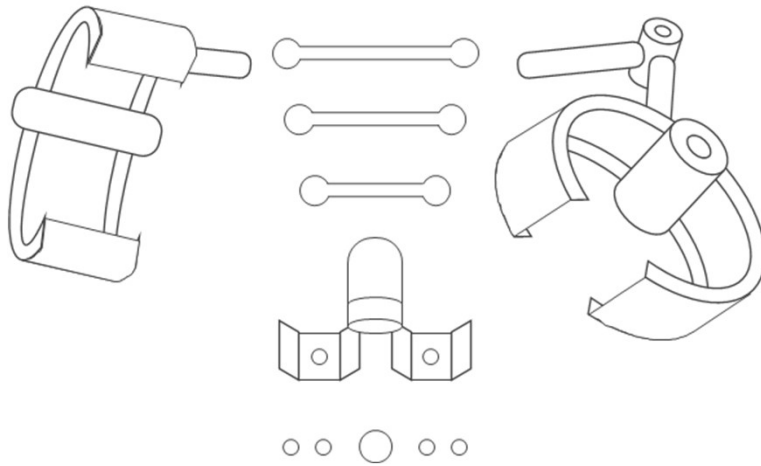
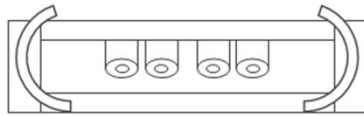


l i g h t f i r e s

JACQUES



Your Name.....

Take a photo of your artwork and send it to our Facebook page.

